

Pharma Diaphragm Valve

Size Range : 1/2 inch to 3 inch (15mm to 80mm)

End Connection : Tri-Clover End

Operating Principles

FlowBiz Pharma Diaphragm provides seal body along with seat seal. The closed design makes the valve disconnected from the outside environment, making the valve suitable for aseptic processes.

The pressure pad supporting the Diaphragm moves towards the body's sealing face when the valve is closed. The flow path is closed through the body when the pressure plate moves, flexing the Diaphragm & forcing it down onto the seal area in the centre of the body.

The inter-relationship of the body to the pressure plate prevents Over-compression of the Diaphragm.

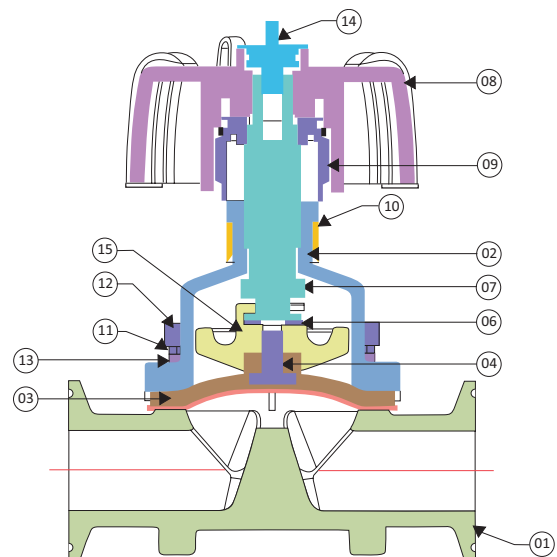
FlowBiz Pharma Diaphragm Valves come with two operational variants, manually and pneumatically, controlled by control tops and solenoid valves, respectively.

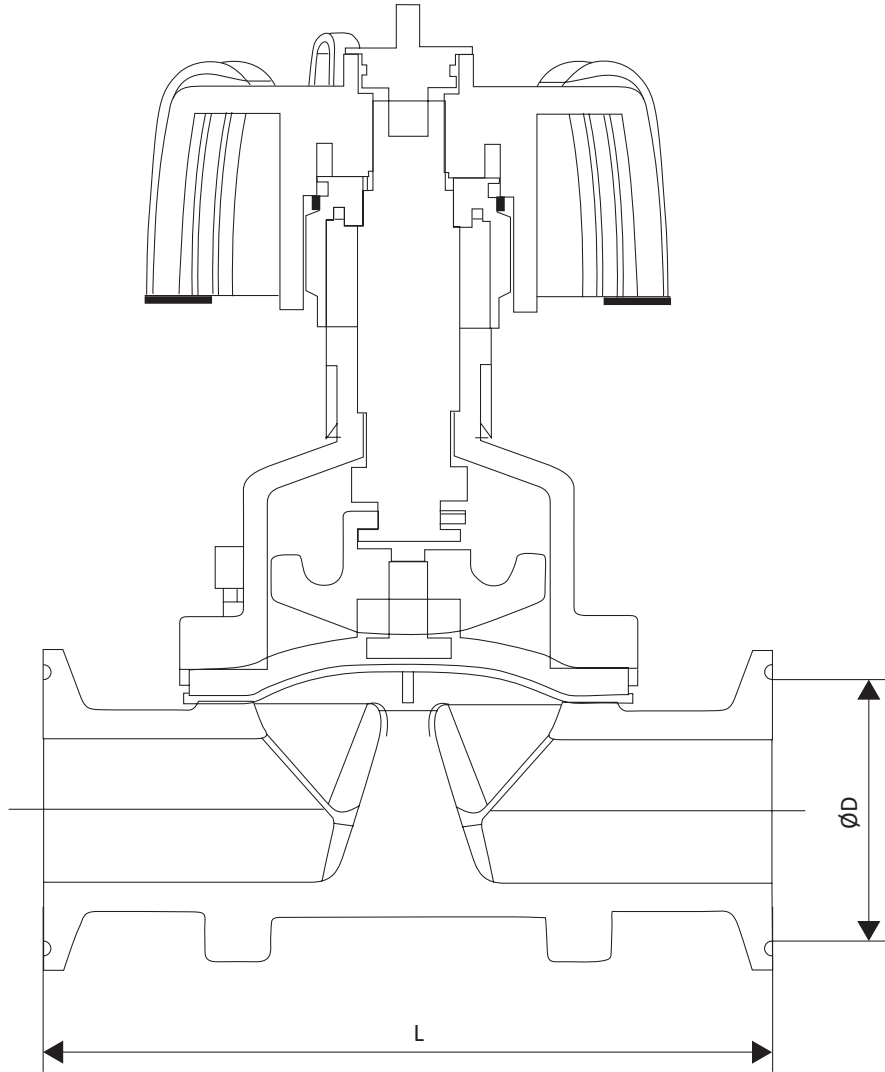
Applications

- Specially engineered for use on the pharmaceutical industries' hygienic and aseptic process.
- Excellent results for flow control as well as for open/close duties.



No.	Description	Material	Qty.
1	Body Triclover End	CF3M	01
2	Bonnet	CF3M	01
3	Diaphragm	PTFE / NBR / EPDM	01
4	Bolt For Diaphragm	S.S.	01
5	Compressor	CF8	01
6	Retainer	Nylon	01
7	Stem	S.S. 304	01
8	Handle Wheel	ABS	01
9	Handle Wheel Sleeve	ABS	01
10	Indicator	Nylon	01
11	Bonnet Fitting Bolt	S.S. 304	04
12	Nut For Fitting Bolt	S.S. 304	04
13	Spring Washer	S.S. 304	04
14	Handle Wheel Lock Bolt	ABS + S.S.	01





Dimensions :		(All Dimensions are in mm)			
Valve Model	Valve Size		L	ØD	Weight (Approx) in Kgs.
	MM	Inch			
FB-PDV - T - 15	15	½"	108	34	0.418
FB-PDV - T - 20	20	¾"	117	34	1.158
FB-PDV - T - 25	25	1"	127	50.5	1.675
FB-PDV - T - 32	32	1 ¼"	146	50.5	----
FB-PDV - T - 40	40	1 ½"	159	50.5	3.171
FB-PDV - T - 50	50	2"	190	64	4.382
FB-PDV - T - 65	65	2 ½"	216	91	----
FB-PDV - T - 80	80	3"	254	106	----

