

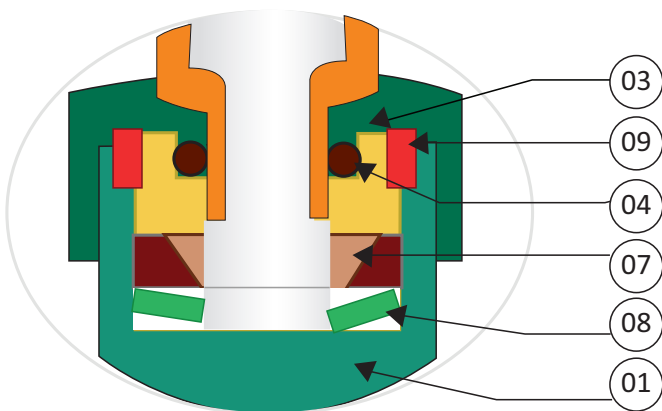
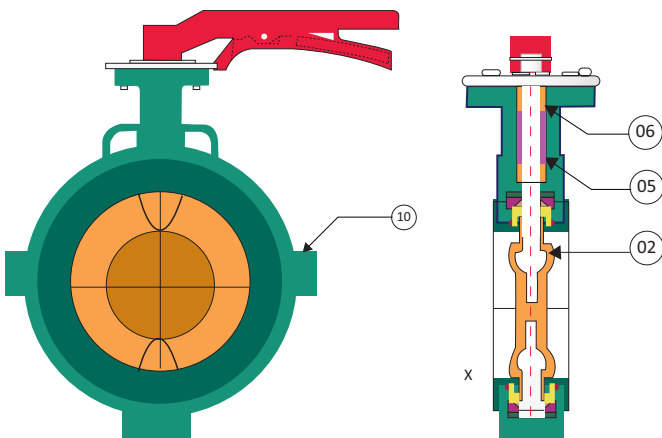
## PFA LINED & TEFLON MUFFLER BUTTERFLY VALVE

FlowBiz proposes the best in class range of our FEP/ PFA Lined Butterfly Valve for Corrosive Application. Our valves are engineered to make the body inaccessible to any media contact by covering the body's entire wetted surface and extend into the Flanged Contact Faces.

FlowBiz uses the best quality of Perfluoralkoxy, commonly known as PFA. PFA has very similar properties to PTFE. Though the most vital difference between PTFE and PFA is that PFA is melt-processed. PFA has identical properties to FEP but can be used at working temperatures up to +260° C while remaining melt-processable, thanks to a lower melt viscosity than PTFE. Excellent chemical resistance, even at elevated temperatures.

**Size Range :** 2 inch to 12 inch (50mm to 300mm)

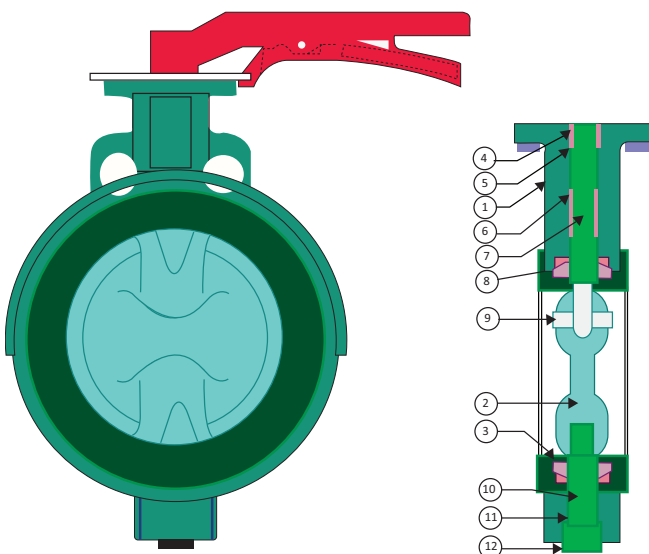
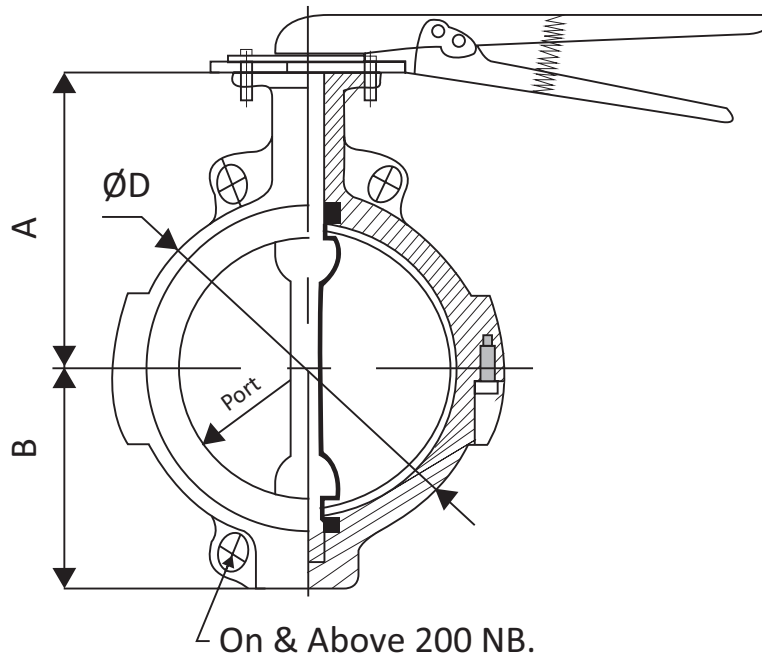
**Design and Manufacturing** : API 609 category A / BS 5155 / MSS SP - 67 / C - 504  
**Valve Face to Face Dimensions** : Short Wafer as per ISO 5752 TAB 5 / API 609 Category A  
**Top Flange Drilling** : ISO 5211 Part II  
**Inspection & Testing** : API 598 / BS 6755 / FCI - 702  
**Flange Standard Conformity** : ANSI 150, DIN PN 10 / 16



No.	Description	Material	Qty.
1	Body	C.I. / C.S. / CFB / CF8M	01
2	Disc	C.I. / C.S. / CF8 / CF8M	01
3	Sleeve	FEP / PFA	01
4	'O' Ring	Viton	02
5	Bush	PTFE (Teflon)	02
6	Bush	Metal Bush S.S. 304	02
7	Truth Bush	S.S. 304	02
8	Washer	Spring Steel	04
9	Gasket	Silicon Big	02
10	L.N. Bolt	S.S. 304	02



Dimension :		(All Dimensions are in mm)					
Valve Model	Valve Size		Port	A	B	F to F	ø D
	MM	Inch					
FB - BTV - 50	50	2"	48	107	65	44	101
FB - BTV - 65	65	2 ½"	62	118	65	46	112
FB - BTV - 80	80	3"	78	122	83	46	130
FB - BTV - 100	100	4"	98	153	98	52	163
FB - BTV - 125	125	5"	---	---	---	---	---
FB - BTV - 150	150	6"	148	193	122	57	218
FB - BTV - 200	200	8"	196	223	167	63	273
FB - BTV - 250	250	10"	---	---	---	---	---
FB - BTV - 300	300	12"	291	271.5	244.5	78	380



No.	Description	Material
1	Body	C.I. / D.I. / CF8 / CF8M
2	Disc	C.I / D.I. / CF8 / CF8M
3	Seat	PTFE
4	Collar	PTFE
5	'O' Ring	Viton
6	Metal Bush	PTFE Coated
7	Top Shaft	AISI 410
8	Pad	Silicon
9	Disc Pin	S.S. 304
10	Bottom Shaft	AISI 410
11	"O" Ring	Viton
12	Plug	M.S.

