

## TRIPLE OFFSET “WAFER TYPE” BUTTERFLY VALVE 150# (FIRE SAFE DESIGN)

FlowBiz offers wafer type Triple Offset Butterfly Valve. FlowBiz fire safe design metal to metal seated Triple Offset Butterfly Valves is the best choice for throttling and light vacuum to high-pressure applications and ideal for applications requiring absolute zero leakage. FlowBiz triple offset butterfly valve is capable of bi-directional flow control, zero leakage, low fugitive emissions.

The sealing system of the Triple Offset makes the disc drive smooth and free of friction at all points. In close disc conditions, the seal ring on the disc strengthens the seat on the body, which provide snug tight, High-performance fit.

Triple Offset Butterfly Valve gives space and weight savings while lessening installation and maintenance costs compared to globe valves, gate valves or ball valves of similar size and pressure rating.

**Size Range :** 2 inch to 12 inch (50mm to 300mm)

### Standard

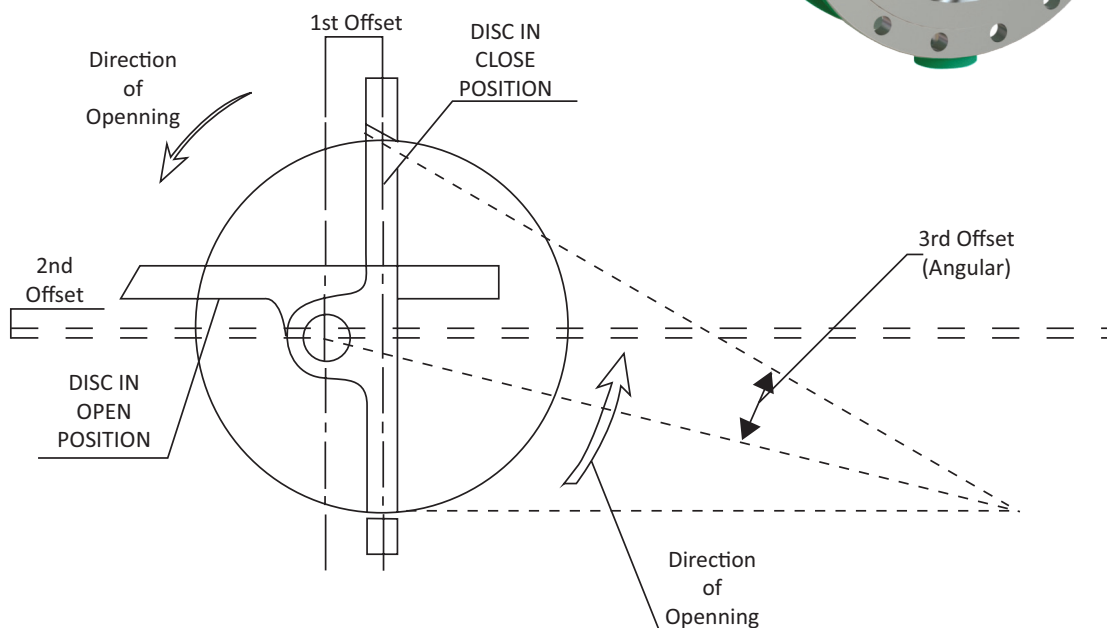
<b>Design and Manufacturing</b>	: API 609
<b>Valve Face to Face Dimensions</b>	: API 609 Category “B”
<b>Flange Standard Conformity</b>	: ASME / ANSI B 16.5 Class 150
<b>Inspection &amp; Testing</b>	: API 598
<b>Leakage Class</b>	: ASME B16, 16.104 Leakage Class VI

### Material Of Construction :

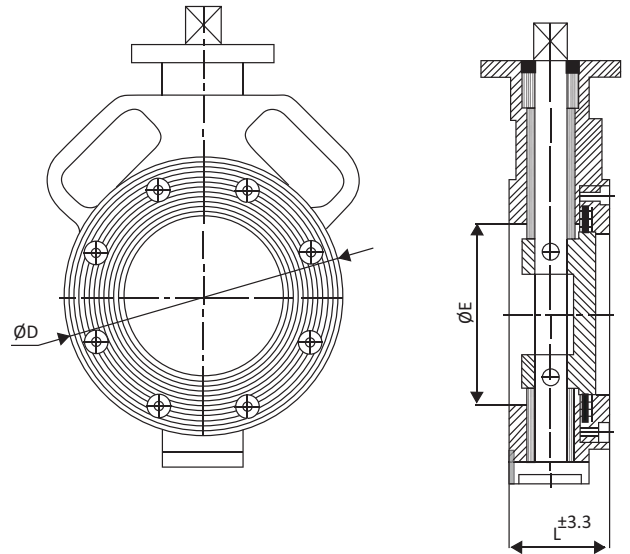
<b>Body</b>	: ASTM A 216 Gr. WCB A 351 Gr. CF8 / CF8M / CF3M
<b>Disc</b>	: ASTM A 216 Gr. WCB A 351 Gr. CF8 / CF8M / CF3M
<b>Seat</b>	: Metal to Metal / SS316 + Graphite / SS316 + PTFE

### Pressure / Temperature Rating

<b>Pressure</b>	: As Per 150# B16.34
<b>Temperature</b>	: Up to 550 °C (Above 550 °C on Request)



VALVE TORQUE 150#				
Valve Size		5 Bar N-m	10 Bar N-m	20 Bar N-m
MM	Inch			
50	2"	11	15	21
65	2 ½"	20	28	38
80	3"	38	43	63
100	4"	50	58	80
125	5"	73	100	144
150	6"	113	144	181
200	8"	175	219	350
250	10"	294	331	375
300	12"	400	450	625



CV Values										
Valve Size		10°	20°	30°	40°	50°	60°	70°	80°	90°
MM	Inch									
50	2"	2	5	11	19	28	41	58	77	85
65	2 ½"	2	9	20	28	45	60	80	120	130
80	3"	3	10	22	42	64	96	150	157	160
100	4"	6	17	41	75	116	174	273	284	290
125	5"	6	45	75	170	280	478	650	707	795
150	6"	7	51	119	221	340	510	799	833	850
200	8"	4	103	239	445	684	1026	1607	1676	1710
250	10"	50	151	353	655	1008	1515	2369	2470	2520
300	12"	79	236	552	1024	1576	2364	3704	3861	3940

Dimension : (All Dimensions are in mm)					
Valve Model	Valve Size		L	øD	øE
	MM	Inch			
FB-SDVTOB - 50	50	2"	47	95	50.8
FB-SDVTOB - 65	65	2 ½"	52	108	60.6
FB-SDVTOB - 80	80	3"	52	127	72
FB-SDVTOB - 100	100	4"	57	159	100
FB-SDVTOB - 125	125	5"	60	186	123
FB-SDVTOB - 150	150	6"	60	217	143
FB-SDVTOB - 200	200	8"	67	270	192
FB-SDVTOB - 250	250	10"	72	322	239
FB-SDVTOB - 300	300	12"	75	382	290

