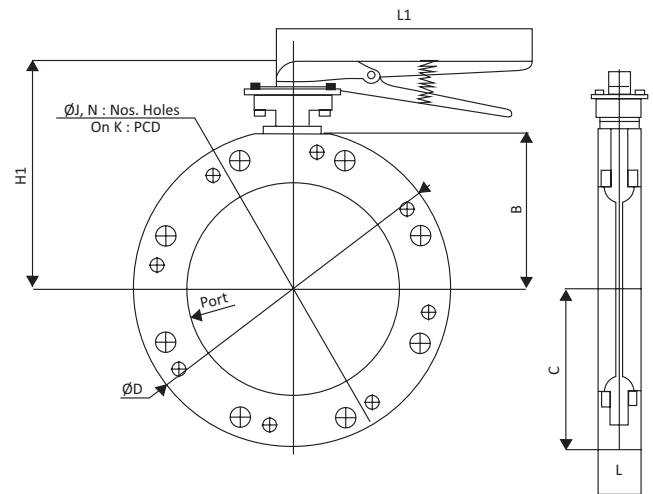
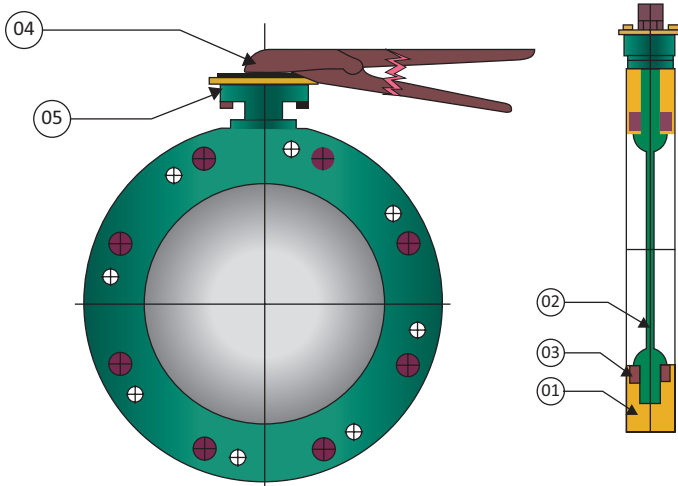


HANDLE OPERATED PHARMA BUTTERFLY VALVE

FlowBiz offers butterfly valves for pharmaceutical, cosmetic, biotech, food and fine chemical industries applications in various dimensions. Compact design gives weight and space utilization. FlowBiz One-piece crevice-free disc polished to mirror finish to maximize flow and easy maintenance.

Size Range : 2½ inch to 16 inch (65mm to 400mm)

Pressure / Temperature Rating	
Working Pressure	MAX. 3 to 4 Kg / Cm ²
Operating Temperature	-50° C to + 400 °C



No.	Description	Material	Qty
1	Body	WCB / CF8 / CF8M	01
2	Disc	WCB / CF8 / CF8M	01
3	Seat	Silicon / Viton	01
4	Body Seat Ring	S.S.	01
5	Handle	S.S. / Aluminium	01

Dimension :		(All Dimensions are in mm)								
Valve Model	Valve Size		Port	L	øD	N	øJ	K : PCD	B	C
	MM	Inch								
PBV - 65	65	2½"	65	26	178	4	19.05	139.7	----	----
PBV - 80	80	3"	80	26	190	4	19.05	152.4	----	----
PBV - 100	100	4"	100	28	150	4	9	134	----	----
PBV - 150	150	6"	150	30	227	6	11	202.8	111	113.5
PBV - 200	200	8"	200	30	285	6	9.5	264	137	139.5
PBV - 250	250	10"	250	32	354.5	6	11	327	173	177.25
PBV - 300	300	12"	300	35	405	8	13.5	378	199	202.5
PBV - 350	350	14"	350	40	527	12	25.4	469.9	260.5	261
PBV - 400	400	16"	400	40	577.9	12	25.4	520.7	285	290

