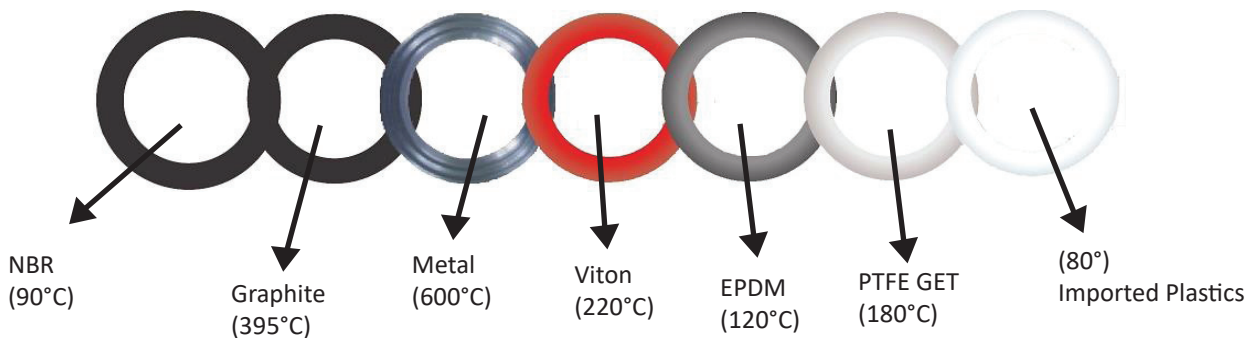
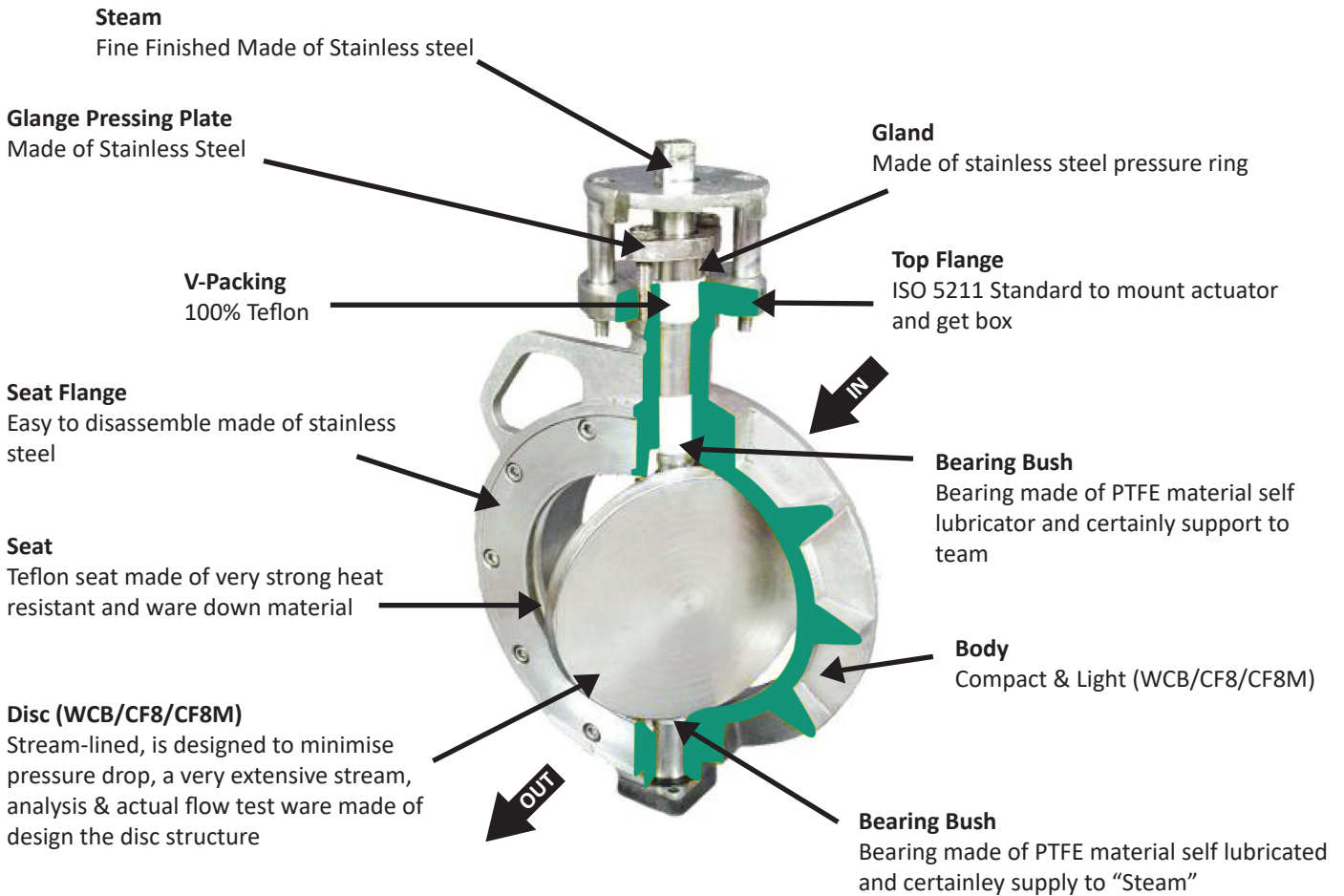


SPHERICAL DISC VALVE HIGH PERFORMANCE BUTTERFLY VALVE

Precised & Strong Durable to 240° C/600° C Temperature and 10Kg/Cm²/20Kg/Cm² Pressure



5 Special Effects

- Compact Design - Full Port - Offers Mass Flow
- Simple Structure, Light & Smooth - Takes very short time for opening & closing with very low torque.
- Easy Maintenance - Replaceable seals design
- Self Sealing - Self cleaning the under cut disc segment and seal tends to wipe away the material from the sealing area.
- Gland pressing plate - Ensure complete utilization of gland seats



Application

- Hygienic Powder & Slurries, especially in pharmaceutical industries.
- Chemical and Dyeing Fluids in Textile Processing
- Bring Waters & Oils. Steam Lines, Air / Gas Lines / Vacuum.

Spherical Disc Valve has been proved as superior to other valves in many aspects, particularly in

- Weight
- Space
- Pressure Range
- Multiple Operations
- Maintenance Ease
- Torque & Economy

Material of Construction

Size Range	1 1/2 inch to 36 inch (40mm to 900mm) 48"
Construction Type	Double Eccentric Disc Design
Body	WCB / CF8 / CF8M
Disc	WCB / CF8 / CF8M
Seat	PTFE (available EPDM / Metal to Metal)
Shaft	AISI 410 / 304 / 316
Plate Mounting	NAMUR Standard
Pressure Rating	ANSI 150 Class
	ANSI 300 Class
End Connection	Wafer / Sandwiched
	Lug type (On Request)
Operating Temp. Range	-25°C to 180°C (Soft Seating)
	-25°C to 600°C (Metal to Metal Seating)
Operating	Hand Lever, worm Gera Box, Pneumatic Actuated, Electrical Actuated

CV Valve in GPM

Valve Size		CV Full Open 90° (GPM) Class 150
Inch	MM	
1.1/2"	40	70
2"	50	92
2.1/2"	65	150
3"	80	260
4"	100	460
5"	125	760
6"	150	1350
8"	200	2200
10"	250	3200
12"	300	4700
14"	350	5800
16"	400	8000
18"	450	10500
20"	500	14000
24"	600	21000
26"	650	23400
28"	700	27000
30"	750	33300
32"	800	40200
36"	900	56500
40"	1000	70000
48"	1200	90000

Torque Valves in Kgf.m

Valve Size		Differential Pressure (AP)			
Inch	MM	5 Kg/Cm ²	10 Kg/Cm ²	15 Kg/Cm ²	20 Kg/Cm ²
1.1/2"	40	0.8	1	1.2	1.5
2"	50	0.9	1.2	1.5	1.7
2.1/2"	65	1.6	2.2	2.4	3
3"	80	3	3.4	4.2	5
4"	100	4	4.6	5.4	6.4
5"	125	5.8	8	9.5	11.5
6"	150	9	11.5	12.5	14.5
8"	200	14	17.5	24	28
10"	250	23.5	26.5	28	30
12"	300	32	36	40	50
14"	350	50	65	83.5	108.5
16"	400	69.4	94.5	120	160
18"	450	95.5	128	157.2	205
20"	500	122.5	193.3	210	293.4
24"	600	213.3	293.4	366.7	440.1
26"	650	265	350	400	510
28"	700	300	395	480	595
30"	750	321	420	519	617
32"	800	481	630	780	920
36"	900	518	663	850	992
40"	1000	641	850	1060	1300
48"	1200	850	1166	1485	1632

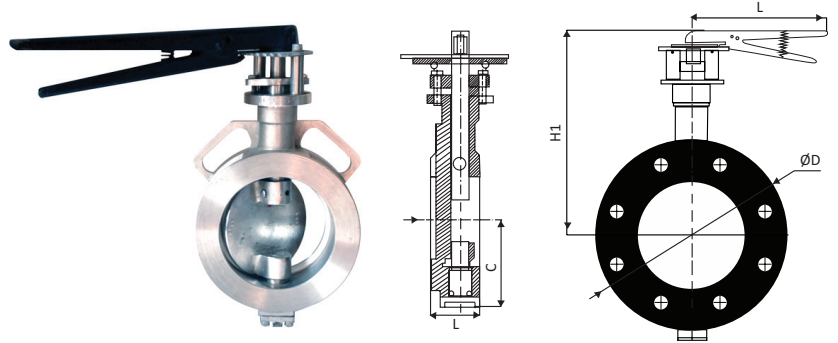
Standards :	Series 5150 (40 NB TO 600 NB)	Series 6150 (650 NB TO 1200 NB)
Design and manufacturing	API 609 CATEGORY B.	MSS SP - 68
Valve face to face dimensions	API 609 CATEGORY B /ANSI B 16.10	ISO 5752 SERIES 20, MSS SP - 68
Flange standard conformity	ANSI B 16.5 CLASS 150 & 300 Class	ASME /ANSI B 16.47 SERIES 'A'
Inspection & testing Standard	API 598 /ANSI FCI 70 - 2	API 598/ BS 6755
Fire safe testing	API 607	API 607
Pressure temperature rating	ASME /ANSI B 16.34	ASME /ANSI B 16.34



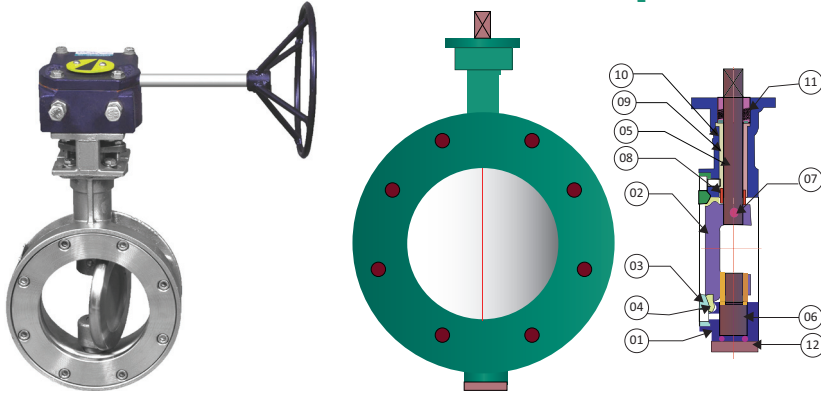
SPHERICAL DISC HIGH PERFORMANCE BUTTERFLY VALVE 150 CLASS

Lever Operated Spherical Disc Valve Up to 6" (150 MM)

Dimension :		(All Dimensions are in mm)					
Valve Size		L	C	∅D	H1	L1	Weight (Approx.)
MM	Inch						
40	1 1/2"	42	57	82	146	180	2.250
50	2"	45	68.5	95	150	180	2.600
65	2 1/2"	48	74.5	108	172	180	3.550
80	3"	48	80	127	181	215	4.300
100	4"	54	96	159	197	215	6.100
125	5"	57	117	186	231	265	8.600
150	6"	57	132	217	245	265	11.050

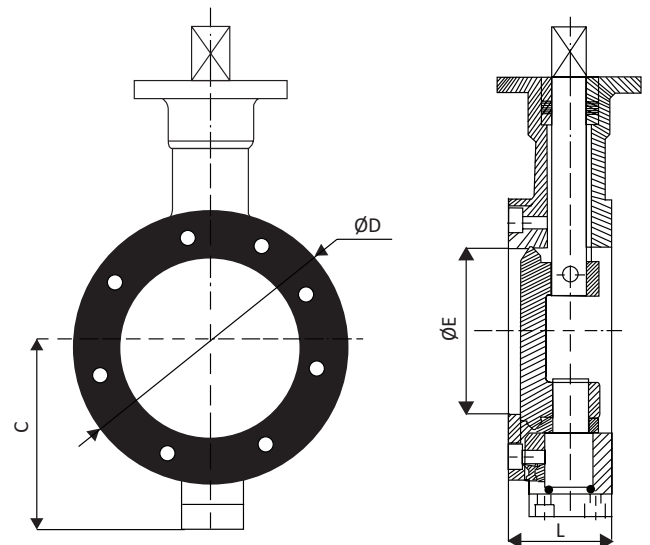


Gear Operated Spherical Disc Butterfly Valve 1 1/2 inch to 36 inch (40MM to 900MM)



No.	Description	Material	Qty.
1	Body	WCB / CF8 / CF8M	1
2	Disc	WCB / CF8 / CF8M	1
3	Retainer	M.S / CF8 / CF8M	1
4	Seal Ring	NBR / PTFE / Viton / GET	1
5	Shaft	S.S. 304 / 316	1
6	Stem Shaft	S.S. 304 / 316	1
7	Disc Pin	S.S. 304 / 316 / 410	1
8	Shaft Collar	S.S. 304 / 316 / 410	4
9	Shaft Bush (PTFE)	S.S. 304 / 316 / 410	1
10	Shaft Bush	M.S / CF8 / CF8M	1
11	Gland Seal Set	PTFE / GFT	5
12	Gland Plate	M.S / CF8 / CF8M	1

Dimension :		(All Dimensions are in mm)				
Valve Size		L	C	∅ E	∅D	Weight (Approx.)
MM	Inch					
40	1 1/2"	42	57	38	82	1.600
50	2"	45	68.5	50.8	95	2.200
65	2 1/2"	48	74.5	60.6	108	3.000
80	3"	48	80	72	127	3.800
100	4"	54	96	100	159	5.600
125	5"	57	117	123	186	7.700
150	6"	57	132	143	217	10.400
200	8"	64	157	192	270	15.000
250	10"	72	187	239	322	25.750
300	12"	82	218	290	382	36.000
350	14"	92	242	335	436	46.900
400	16"	102	270.5	387.5	495	66.850
450	18"	114	362	425	540	117.000
500	20"	127	400	475	595	146.500
600	24"	154	454	560	705	290.000
650	26"	165	478	608	755	360.000
700	28"	165	505	661.5	810	390.000
750	30"	190	542	696	855	475.000
800	32"	190	580	755	913	524.000
900	36"	203	640	864	1032	675.000



SPHERICAL DISC HIGH PERFORMANCE BUTTERFLY VALVE 300 CLASS

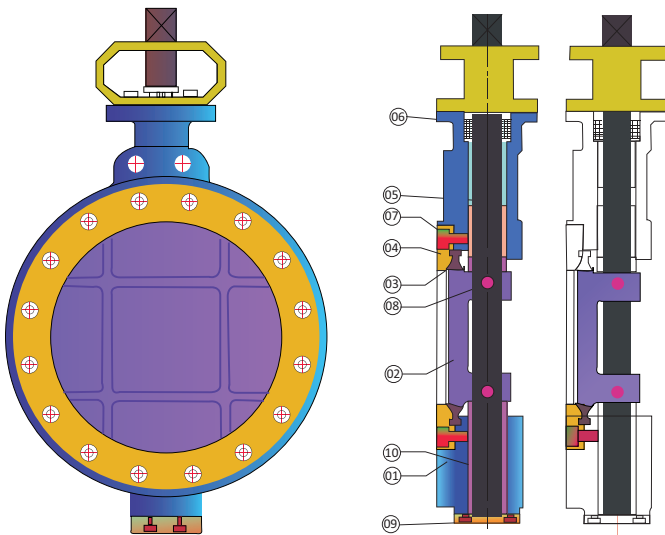
Size Range : 1.½ inch to 24 inch (40mm to 600mm)

Standard

Design and Manufacturing : API 609 Category "B"
Valve Face to Face Dimensions : API 609 Category "B"
Flange Standard Conformity : ASME / ANSI B 16.5 Class 300
Inspection & Testing : API 598

Pressure / Temperature Rating

Pressure : 300# Pressure Rating
Temperature : 180 °C
Seat Pressure : 57 Kg / cm²
Shell Pressure : 79 Kg / cm²



No.	Description	Material
1	Body	ASTM A216 Gr. WCB A351 Gr. CF8 / CF8M
2	Disc	ASTM A351 Gr. CF8 / CF8M
3	Replaceable Seat	PTFE / GFT
4	Retainer	M.S. / S.S. 304 / 316
5	Shaft	S.S. 410 / S.S 304 / 316
6	Gland Packing	PTFE / GFT
7	Retainer Bolt	S.S.
8	Disc Pin	S.S. 304 / 316
9	Steam Plate	M.S. / S.S/ 304 / 316
10	Shaft Bush	M.S. / S.S/ 304 / 316
11	Bracket	M.S.

Dimension : (All Dimensions are in mm)

Valve Model	Valve Size		L	øD	øE
	MM	Inch			
FB-SDV-3-40	40	1 ½"	42	88	38
FB-SDV-3-50	50	2"	45	101	50.8
FB-SDV-3-65	65	2 ½"	48	108.5	60.6
FB-SDV-3-80	80	3"	48	127	72
FB-SDV-3-100	100	4"	54	159	100
FB-SDV-3-125	125	5"	59	187	123
FB-SDV-3-150	150	6"	59	219	143.2
FB-SDV-3-200	200	8"	64	270	192
FB-SDV-3-250	250	10"	87	340	239.2
FB-SDV-3-300	300	12"	92	394	290
FB-SDV-3-350	350	14"	117	436	335
FB-SDV-3-400	400	16"	133	500	387.5
FB-SDV-3-450	450	18"	149	540	425
FB-SDV-3-500	500	20"	159	595	475
FB-SDV-3-600	600	24"	181	705	560

