

## 3 Way High Pressure Ball Valve

FlowBiz 3-way ball valves are used to shut off the Fluid flow in one pipe while opening another line's fluid flow. Mainly in steam, oil, water, gas & other applications. These valves are meant to mix media from two different lines into one line or separate media from one pipe into two different lines.

A three-way ball valve has three ports or openings connected to piping or tubing for gas or fluid flow (media) to pass through. These ports consist of one inlet and two outlet ports or one outlet and two inlet ports depending upon the valve's flow direction.

**Size Range :** 1/2 inch to 1 1/2 inch (15mm to 40mm)

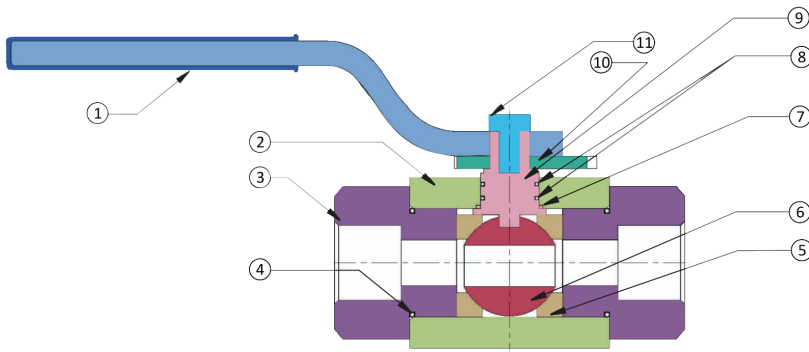
### Key Features :

- Full Bore Design providing smooth and streamline flow at a negligible pressure drop.
- Floating Ball concept on pre-compressed seal decreases wear & tear additionally provide an excellent seal at positive and negative pressure.
- Operating temperature -20° C to 150° C
- Open to close in quarter-turn (¼ / 90 Deg.)
- Close all port at a 45 Degree.



### Stainless Steel Valves

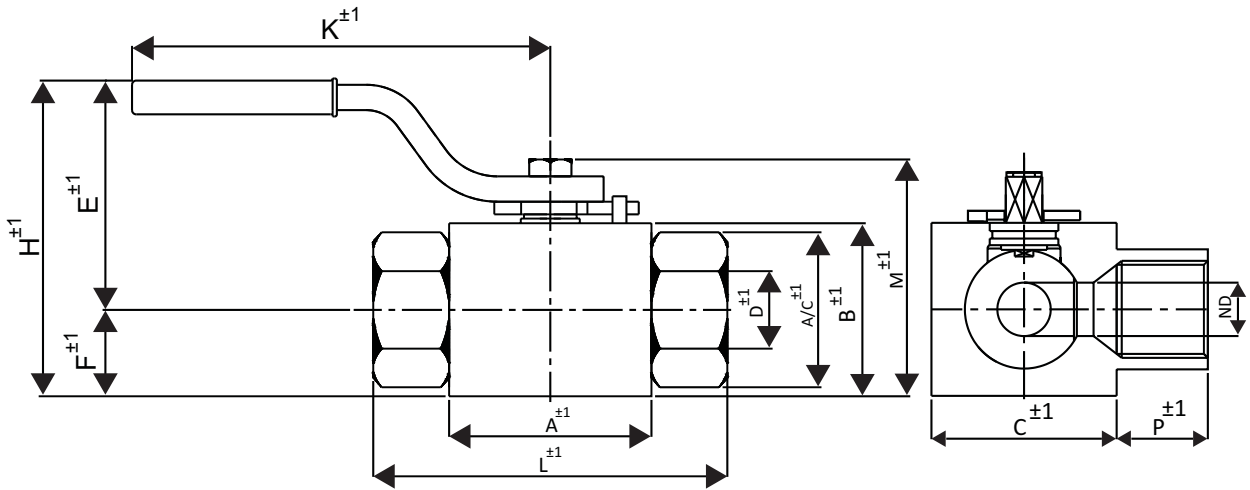
FlowBiz Brand anti-corrosive stainless steel Ball Valves are made with the perfect blend of chromium and nickel. Each trim, including body and ball, is made of high-grade stainless steel, best suited for the food, chemical, gas, and pharma industry. We provide different types of seals that are suitable to the specification required by these applications. Our Valves comes with various end connection like screwed & socket for tighter & easier commissioning on line. FlowBiz provides extended nipples on special request.



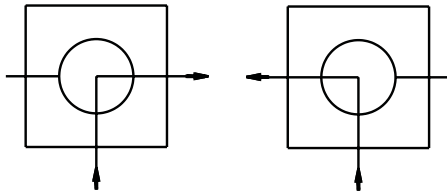
TECHNICAL SPECIFICATION	
PRESSURE	AS PER TABLE
TEMPERATURE	-20° C to 150° C
MEDIA	AIR, WATER, OIL & GAS

No.	Description	Material	Qty.
1	Handle	Steel Powder Coated	01
2	Body	Forged Carbon / S.S. 304 / S.S. 316	01
3	End Connection	Forged Carbon / S.S. 304 / S.S. 316	02
4	'O' Ring	NBR / EPDM / Viton / Peek	02
5	Ball Sheet	Peek / Polyacetal	03
6	Ball	S.S. 304 / S.S. 316	01
7	Gland Packing	Peek / Peak / Polyacetal	01
8	'O' Ring	NBR / EPDM / Viton	02
9	Stem	S.S. 304 / S.S. 316	01
10	Stopper	Steel Powder Coated	01
11	Bolt	S. Steel	01

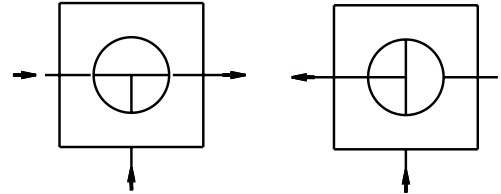




L Port - 90°



T Port - 90°



**Dimensions :**

(All Dimensions are in mm)

Valve Model	Valve Size		ND	A	B	C	A/C	H	K	L	M	P	E	F	D	Weight Approx
	MM	Inch														
FB-HP-3W-BLV-15	15	½"	13	48.2	45.5	40.5	36.5	83	148	83.5	65	19	60	23	11.5	1.060
FB-HP-3W-BLV-20	20	¾"	20	61	61.5	51	52.5	98	195	96	65	24.5	71	27	19.3	2.210
FB-HP-3W-BLV-25	25	1"	25	71.5	68.5	60	58	113	195	107.5	96	23.5	83	30	24.6	2.900
FB-HP-3W-BLV-32	32	1 ¼"	25	91.5	90	80	80	146	230	130.5	123	32.5	106	40	36	6.150
FB-HP-3W-BLV-40	40	1 ½"	25	91.5	90	80	80	146	230	130.5	123	32.5	106	40	36	5.800

