

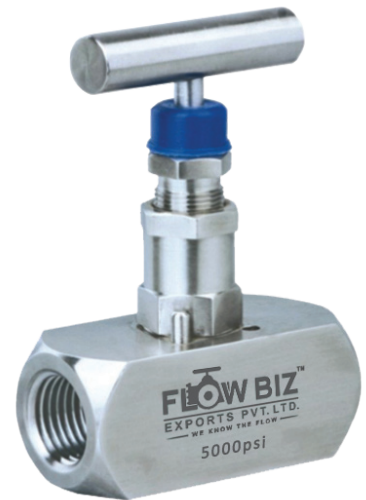
## Needle Valve Up to 350 Kg / Cm<sup>2</sup> (5000PSI)

FlowBiz Needle Valves are perfect choice for accurate flow control and clean gases or fluids, providing bubble tight shut-off.

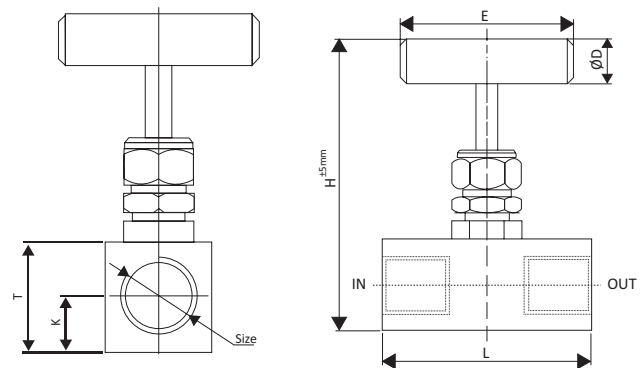
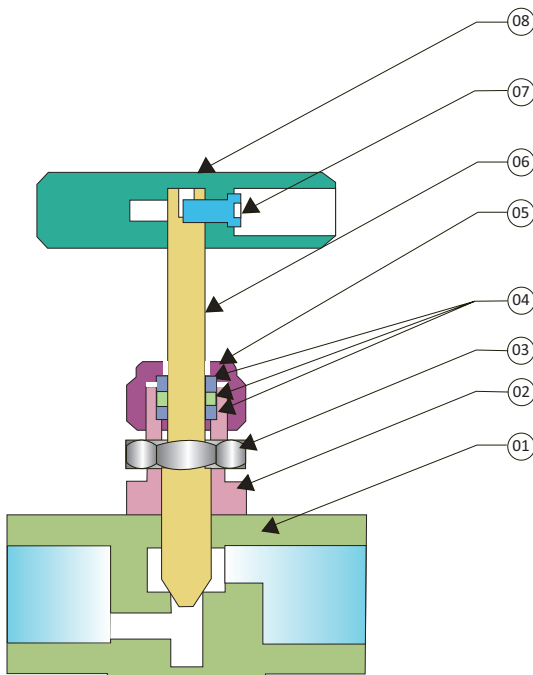
**Size Range :** 1/4 inch to 2 inch (06mm to 50mm)

**End Connection :** Screwed End

| Needle Valve | Technical Specifications            |
|--------------|-------------------------------------|
| Pressure     | 350 Kg/Cm <sup>2</sup> (5000 PSI)   |
| Temperature  | 200° C                              |
| Ends         | Screwed (F) to BSP (NPT On Request) |
| Media        | Air, Water, Oil & Gas               |
| Leakage      | Bubble Tight                        |



| No. | Description   | Material                 | Qty. |
|-----|---------------|--------------------------|------|
| 1   | Body          | AISI 304 / 316           | 01   |
| 2   | Bonnet        | S.S. 304 / S.S. 316      | 01   |
| 3   | Check Nut     | S.S. 304 / S.S. 316      | 01   |
| 4   | Gland Packing | PTFE S.S. 304 / S.S. 316 | 02   |
| 5   | Gland Nut     | S.S. 304 / S.S. 316      | 01   |
| 6   | Spindle       | S.S. 304 / S.S. 316      | 01   |
| 7   | Allenkey      | Stainless Steel          | 01   |
| 8   | 'T' Type Key  | S.S. 304 / S.S. 316      | 01   |



### Dimensions :

(All Dimensions are in mm)

| Valve Model | Valve Size |      | H          |      | T  | L  | K  | ØD | E  | Weight (Approx) in Kgs |
|-------------|------------|------|------------|------|----|----|----|----|----|------------------------|
|             | MM         | Inch | Close      | Open |    |    |    |    |    |                        |
| FB-MP-NV-6  | 6          | ¼"   | 90         | 105  | 28 | 54 | 14 | 14 | 55 | 0.390                  |
| FB-MP-NV-10 | 10         | ⅜"   | 90         | 105  | 28 | 54 | 14 | 14 | 55 | 0.380                  |
| FB-MP-NV-15 | 15         | ½"   | 95         | 110  | 29 | 66 | 15 | 14 | 55 | 0.420                  |
| FB-MP-NV-20 | 20         | ¾"   | 120        | 125  | 38 | 72 | 20 | 14 | 60 | 0.730                  |
| FB-MP-NV-25 | 25         | 1"   | 125        | 130  | 42 | 77 | 20 | 14 | 60 | 0.830                  |
| FB-MP-NV-32 | 32         | 1 ¼" | On Request |      |    |    |    |    |    |                        |
| FB-MP-NV-40 | 40         | 1 ½" |            |      |    |    |    |    |    |                        |
| FB-MP-NV-50 | 50         | 2"   |            |      |    |    |    |    |    |                        |



## Needle Valve Up to 700 Kg / Cm<sup>2</sup> (10000 PSI)

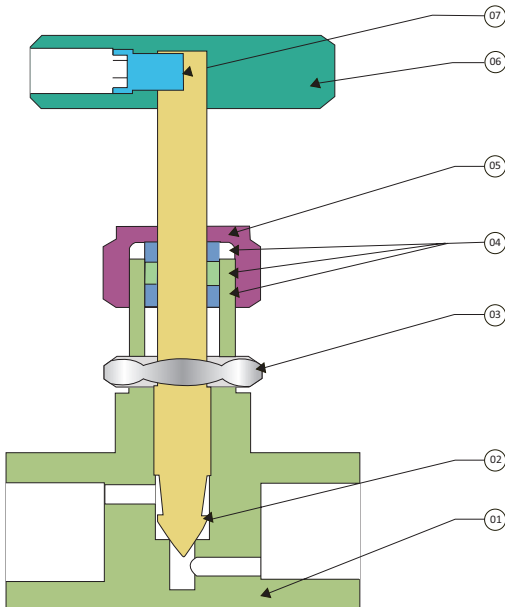
FlowBiz Needle Valves are perfect choice for accurate flow control and clean gases or fluids, providing bubble tight shut-off.

**Size Range :** 1/4 inch to 2 inch (06mm to 50mm)

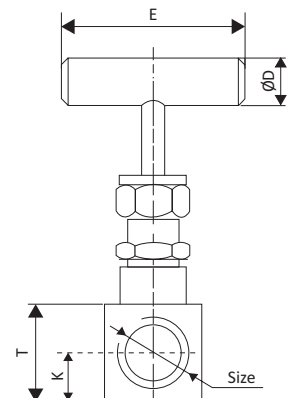
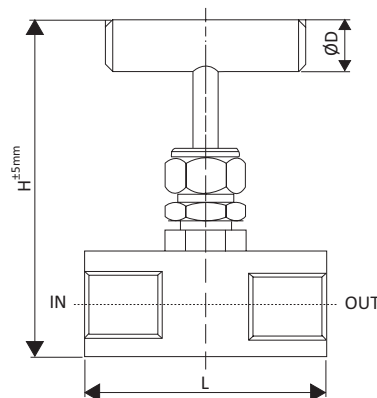
**End Connection :** Screwed End



| Needle Valve | Technical Specifications            |
|--------------|-------------------------------------|
| Pressure     | 700 Kg/Cm <sup>2</sup> (10000 PSI)  |
| Temperature  | 360° C                              |
| Ends         | Screwed (F) to BSP (NPT On Request) |
| Media        | Air, Water, Oil & Gas               |
| Leakage      | Bubble Tight                        |



| No. | Description   | Material                 | Qty. |
|-----|---------------|--------------------------|------|
| 1   | Body          | AISI 304 / 316           | 01   |
| 2   | Spindle       | S.S. 304 / S.S. 316      | 01   |
| 3   | Check Nut     | S.S. 304 / S.S. 316      | 01   |
| 4   | Gland Packing | PTFE S.S. 304 / S.S. 316 | 01   |
| 5   | Gland Nut     | S.S. 304 / S.S. 316      | 01   |
| 6   | 'T' Type Key  | S.S. 304 / S.S. 316      | 01   |
| 7   | Allenkey      | S.S. 304 / S.S. 316      | 01   |



### Dimensions :

(All Dimensions are in mm)

| Valve Model | Valve Size |      | H          |      | T    | L  | K    | ØD | E  | Weight (Approx) in Kgs |
|-------------|------------|------|------------|------|------|----|------|----|----|------------------------|
|             | MM         | Inch | Close      | Open |      |    |      |    |    |                        |
| FB-HP-NV-6  | 6          | ¼"   | 115        | 125  | 29   | 65 | 14.5 | 14 | 55 | 0.610                  |
| FB-HP-NV-10 | 10         | ⅜"   | 118        | 125  | 30   | 65 | 15   | 14 | 60 | 0.590                  |
| FB-HP-NV-15 | 15         | ½"   | 118        | 125  | 31.5 | 70 | 16.5 | 14 | 60 | 0.690                  |
| FB-HP-NV-20 | 20         | ¾"   | 128        | 142  | 38.5 | 75 | 20   | 14 | 60 | 0.970                  |
| FB-HP-NV-25 | 25         | 1"   | 140        | 152  | 44   | 75 | 21.5 | 14 | 70 | 1.260                  |
| FB-HP-NV-32 | 32         | 1 ¼" | 152        | 165  | 53   | 91 | 26.5 | 14 | 70 | 1.980                  |
| FB-HP-NV-40 | 40         | 1 ½" | On Request |      |      |    |      |    |    |                        |
| FB-HP-NV-50 | 50         | 2"   |            |      |      |    |      |    |    |                        |

