

Multi Port Ball Valve (3 Way / 4 Way / 5 Way)

FlowBiz Brand Three-way and four-way designs Ball Valves offer flexibility and versatility for process control. Multi-port ball valves offer piping system engineers many solutions for process control applications and greater design flexibility.

FlowBiz multi-port ball valve requiring minimal space makes it easier to clean equipment, guarantee compact processes and improves general process reliability. Multi-port ball valves enhance the demand for a production facility's cleanliness and reliability by facilitating necessary separation processes (chromatography and filtration) to ensure media purity by capably maintaining hygienic processing conditions. Common problems such as corrosion in-tank installations, valve manifolds and pipe systems are significantly reduced when using multi-port ball valves.

Size Range : 1/2 inch to 6 inch (15mm to 150mm)

End Connection : Flanged End / Tri-clover End / Screwed End / Socket Weld End

Standard	
Design And Manufacturing	ASME B 16.34 / API 6D
Valve Face To Face Dimension	As Per Manufacturer
Flange Standard Conformity	ASME B 16.5 Class 150, 300
Inspection & Testing	API 598 / FCI - 702 / BS EN 12266 - 1



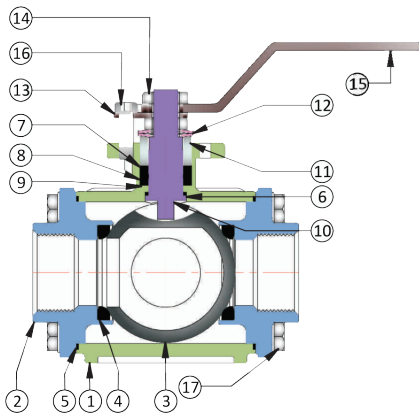
Key Features :

- During evaporation, a multi-port ball valve can help ensure a dependable sterile barrier.
- The versatility of multi-port ball valves allows them to be used in chemical operations, plating operations, beverage, food industry and water treatment processing plants.
- Multi-port ball valves are the first choice in distribution, cleaning, draining and feeding applications.
- Multi-Port Ball Valves eliminates leaks and simplify distribution systems significantly.
- Multi-port valves can be equipped with position indicators, pneumatic or electric actuation, lockout/tag-out, and multiple ball structuring.
- Substantially reduce dead legs while being designed for maximizing draining.

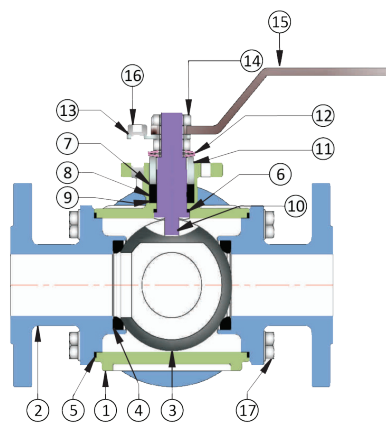
TECHNICAL SPECIFICATION	
PRESSURE	ASME 150 / ASME 300 PN 16, PN 25, PN 40
TEMPERATURE	-25° C to 180° C



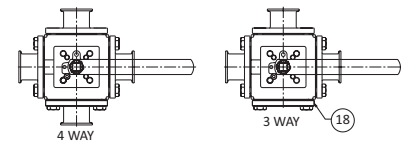
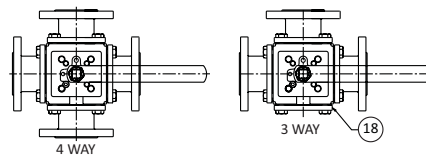
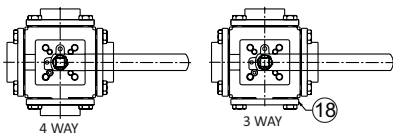
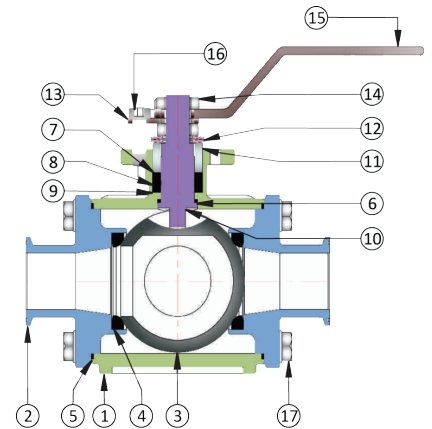
Screwed End



Flanged End



Tri-clover End



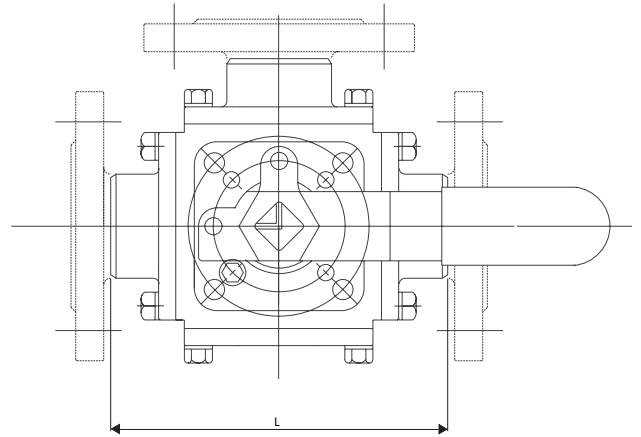
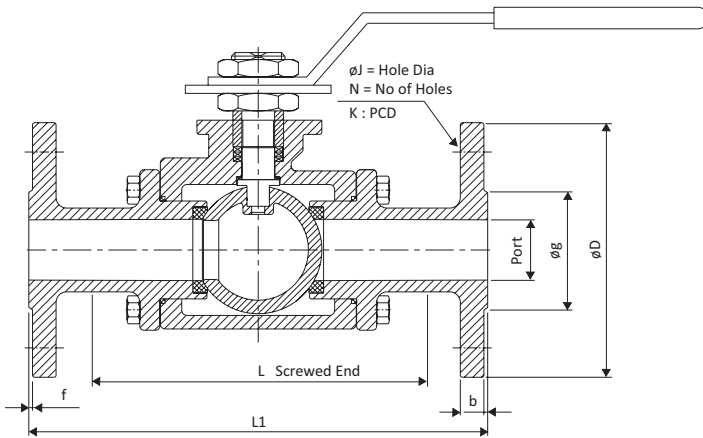
Screwed & Tri-Clover End :

No.	Description	Material	3 way Qty.	4 way Qty.
1	Body	WCB / CF8 / CF8M	01	01
2	Screwed & Tri-Clover End	WCB / CF8 / CF8M	03	04
3	Ball	CF8 / CF8M	01	01
4	Ball Seat	PTFE / GFT	04	04
5	Body Seat	PTFE / GFT	04	04
6	Stem Packing	PTFE	01	01
7	U - Seat	PTFE	01	01
8	V - Seat	PTFE	02	02
9	Base Seat	PTFE	01	01
10	Stem Pin	S.S. 304	01	01
11	Gland Spacer Washer	S.S. 304	01	01
12	Disc Washer	S.S. 304	01	01
13	Platter	S.S. 304	01	01
14	Handle Nut	S.S. 304	02	02
15	Handle	S.S. 304	01	01
16	Handle Stopper	S.S. 304	01	01
17	Body Fitting	S.S. 304	16	16
	Hex Bolt + Washer			
18	Blind End Connection	CF8 / CF8M	01	----

Flange End Connection :

No.	Description	Material	3 way Qty.	4 way Qty.
1	Body	WCB / CF8 / CF8M	01	01
2	Flange End Connection	WCB / CF8 / CF8M	03	04
3	Ball	CF8 / CF8M	01	01
4	Ball Seat	PTFE / GFT	04	04
5	Body Seat	PTFE / GFT	04	04
6	Stem Packing	PTFE	01	01
7	U - Seat	PTFE	01	01
8	V - Seat	PTFE	02	02
9	Base Seat	PTFE	01	01
10	Stem Pin	S.S. 304	01	01
11	Gland Spacer Washer	S.S. 304	01	01
12	Disc Washer	S.S. 304	01	01
13	Platter	S.S. 304	01	01
14	Handle Nut	S.S. 304	02	02
15	Handle	S.S. 304	01	01
16	Handle Stopper	S.S. 304	01	01
17	Body Fitting	S.S. 304	16	16
	Hex Bolt + Washer			
18	Blind End Connection	CF8 / CF8M	01	----



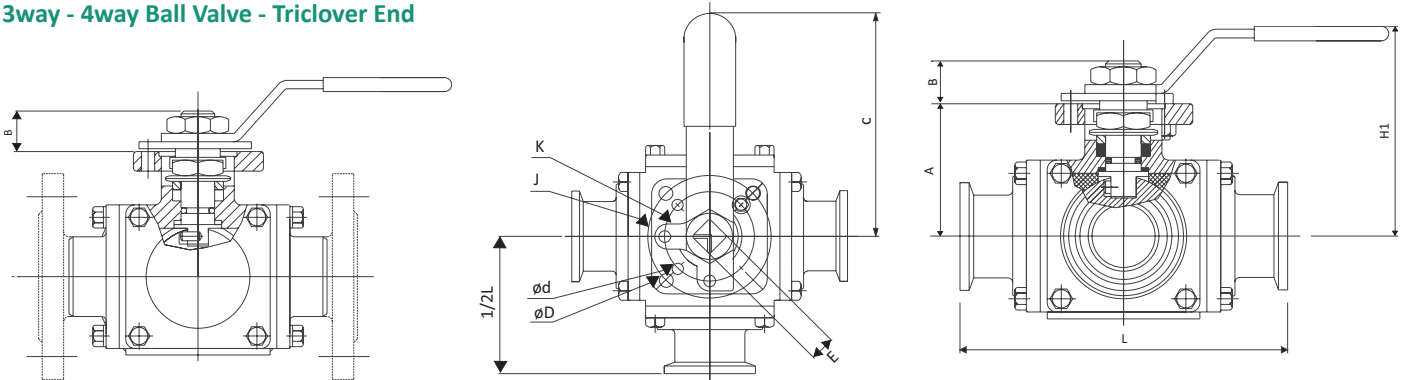


Dimensions :

(All Dimensions are in mm)

Valve Model	Valve Size		Screwed		Flanged 150#								Weight (Approx)	Flanged 300#								K : PCD	
	MM	Inch	L	Weight	L1	b	f	Port	ϕg	ϕD	N	ϕJ		K : PCD	L1	b	f	Port	ϕg	ϕD	ϕJ		N
FB-MPBV-15	15	½"	104	2.250	151	8	2	13	34.9	88	4	15.9	60.3	4.440	160	12.7	2	13	34.9	95	15.9	4	66.7
FB-MPBV-20	20	¾"	112	3.050	165	8.9	2	19	42.9	98	4	15.9	69.9	5.800	177	14.3	2	19	42.9	115	19.05	4	82.6
FB-MPBV-25	25	1"	130	4.350	192	9.6	2	25	50.8	110	4	15.9	79.4	7.650	202	15.9	2	25	50.8	125	19.05	4	88.9
FB-MPBV-32	32	1 ¼"	141	5.050	211	11.2	2	32	63.5	115	4	15.9	88.9	---	208	17.5	2	32	63.5	135	19.05	4	98.4
FB-MPBV-40	40	1 ½"	159	10.100	218	12.7	2	38	73	125	4	15.9	98.4	15.600	234	19.1	2	38	73	155	22.2	4	114.3
FB-MPBV-50	50	2"	192	16.500	253	14.3	2	49	92.1	150	4	19.05	120.7	26.450	274	20.7	2	49	92.1	165	19.05	8	127
FB-MPBV-65	65	2 ½"	297	---	295	15.9	2	64	104.8	180	4	19.05	139.7	35.200	300	23.9	2	62	104.8	190	22.2	8	149.2
FB-MPBV-80	80	3"	304	---	306	17.5	2	76	127	190	4	19.05	152.4	46.300	327	27	2	74	127	210	22.2	8	168.3
FB-MPBV-100	100	4"	324	---	371	22.3	2	98	157.2	230	8	19.05	190.5	80.050	395	30.2	2	100	157.2	255	22.2	8	200
FB-MPBV-125	125	5"	---	---	---	22.3	2	125	185.7	255	8	22.2	215.9	82.100	---	33.4	2	125	185.7	280	22.2	8	235
FB-MPBV-150	150	6"	---	---	428	23.9	2	150	215.9	280	8	22.2	241.3	---	468	35	2	150	215.9	320	22.2	12	269.9

3way - 4way Ball Valve - Triclover End



Dimensions :

(All Dimensions are in mm)

Valve Model	Valve Size		A	B	C	ϕd	ϕD	H1	K	J	E	Port	L
	MM	Inch											
FB-MPBV-15	15	½"	41	11	125	6.0	0.6	67.0	36	42	9	12.5	133
FB-MPBV-20	20	¾"	49	14	160	6.0	7.1	80.8	42	50	11	17	140
FB-MPBV-25	25	1"	55	14	160	6.0	7.1	87.5	42	50	11	22	160
FB-MPBV-40	40	1 ½"	74	18	205	7.1	9.2	114	50	70	14	35	183
FB-MPBV-50	50	2"	93	23	325	9.2	11.4	140	70	102	17	47	217
FB-MPBV-65	65	2 ½"	73.5	25	-	-	11.5	250	-	102	22	-	-
FB-MPBV-80	80	3"	81.5	25	-	-	11.5	285	-	102	22	-	-
FB-MPBV-100	100	4"	99.5	25	-	-	11.5	330	-	102	22	-	-



Gear Operated Multiport Ball Valve

Size Range : 8 inch to 12 inch (200mm to 300mm)

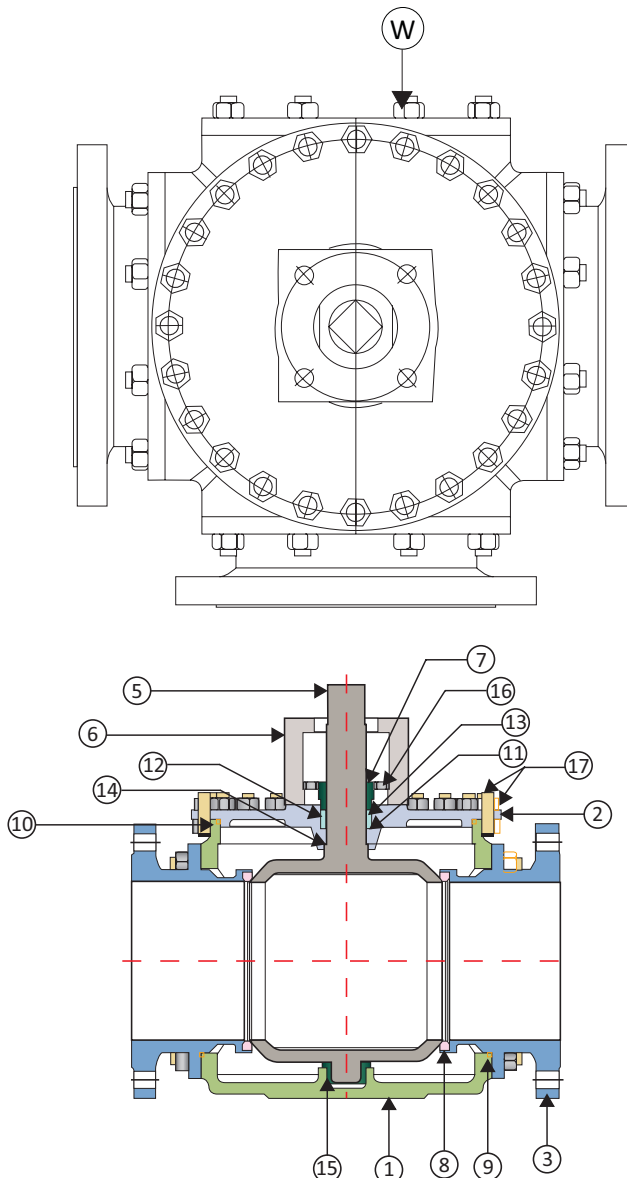
End Connection : Flanged End

Standard

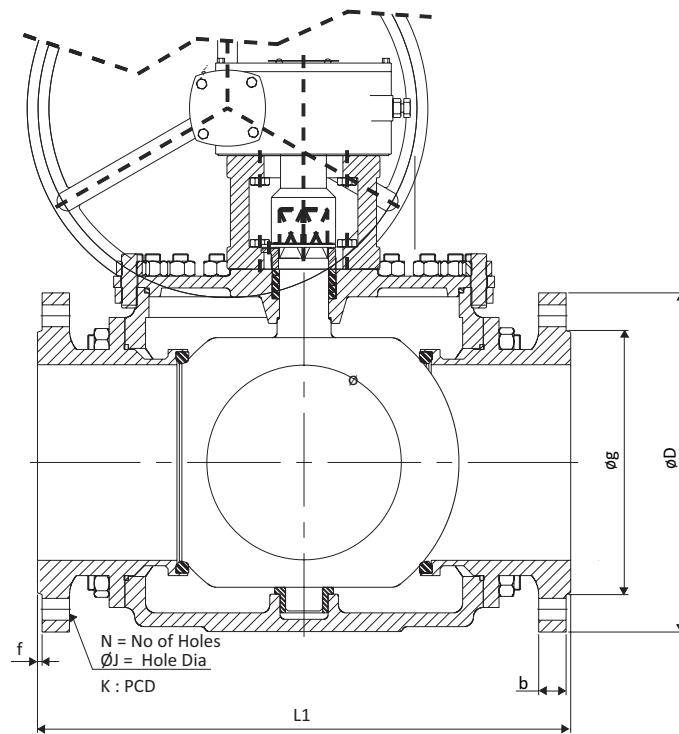
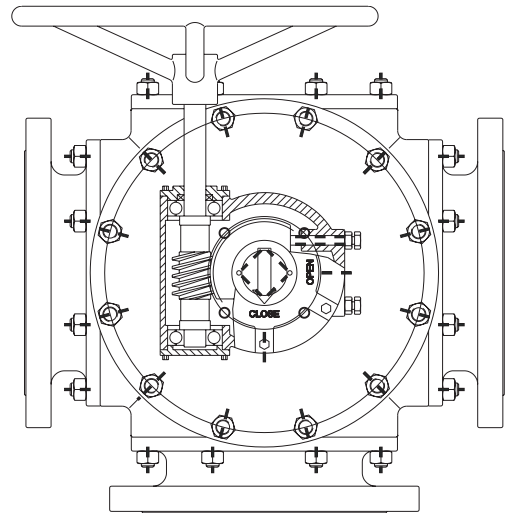
Design and Manufacturing : 8" to 12" Flange End
Valve Face to Face Dimension : As per Manufacturer
Flange Standard Conformity : ASME B 16.5 Class 150, 300
Inspection & Testing : API 598 / FCI - 702 / BS EN 12266 - 1

Technical Specification

Pressure : ASME 150 / ASME 300 PN 16, PN 25, PN 40
Temperature : -25 ° C TO 180 ° C



No.	Description	Material
1	Body	WCB / CF8 / CF8M
2	Top Cover	WCB / CF8 / CF8M
3	Flange End	WCB / CF8 / CF8M
4	Blind End	WCB / CF8 / CF8M
5	Ball	CF8 / CF8M
6	Bracket	CF8 / CF8M
7	Gland	CF8 / CF8M
8	Ball Seat	PTFE / CFT / GFT / PEEK
9	Body Gasket	PTFE
10	Top Cover Gasket	PTFE
11	Base Seal	PTFE
12	U - Seal	PTFE
13	V - Seal	PTFE
14	'O' Ring	Viton
15	Bush	CFT / PTFE
16	Bracket & Gland Fitting Bolt	M.S / S.S.
17	Fitting Stud + Nut	M.S



Dimensions :

(All Dimensions are in mm)

Valve Model	Valve Size		L1	ø D	b	øg	f	øJ	N	PCD
	MM	Inch								
FB-MPBV-200	200	8"	538	345	27	269.9	2	22.2	8	298.5
FB-MPBV-250	250	10"	662	405	28.6	323.8	2	25.4	12	362.00
FB-MPBV-300	300	12" (R/Bore)	662	485	30.2	381	2	25.4	12	431.8

